

Specifier's Reference
Project
Type
Model No.
Comments or Special Instructions

# ILL-SF-2C SUBMERSION FITTING

## APPLICATION

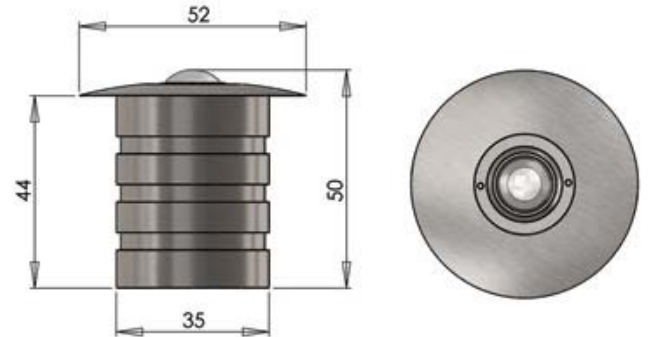
A small submersible eyeball fitting manufactured from stainless steel with a clear focusing lens.

Available with a backnut for fixing through a panel or a backbox for fitting into CP2 pool pipe for more accurate and easier installation.

Suitable for installation in constant immersion settings such as swimming pools, ponds and water features.

## SPECIFICATION

Glass:	Clear focusing lens
Material:	Stainless steel
Colours available:	Natural
Focus range (trumpet A):	20° - 40°
Flange size:	Ø52mm
Weight:	142.4g
Ferrule size:	M8 (M10 or 8mm smooth to special order)
Min. Fibre size:	Min. fibre size: Ø2mm
Max. Fibre size:	Max. fibre size: Ø6mm (8mm with M10 or 8mm smooth ferrule)



## Ordering Information

ILL-SF-2C

