

Specifier's Reference
Project
Type
Model No.
Comments or Special Instructions

# ILL-DSF-6 DECORATIVE SPARKLE FIXTURE

## APPLICATION

A miniature lens made from UV stabilised polycarbonate for 1mm fibre only

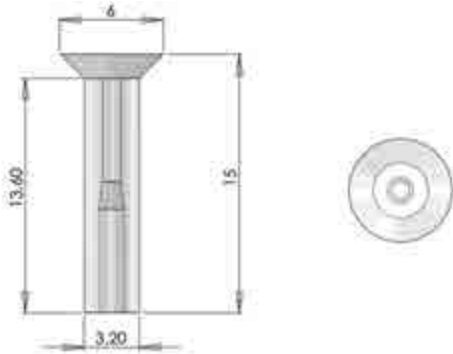
Suitable for use in floors and decking, indoors and out. Can also be set into stone or mortar for star paving effects.

Needs only a countersunk hole. For outdoor use we recommend using sheathed 1mm fibre for protection.

Not as suitable for ceilings as the fibre is slightly recessed and will not be as visible from head height unless the ceiling is quite high.

## SPECIFICATION

Material:	Polycarbonate
Colours available:	Clear
Size:	6 mm
Weight:	0.2 g
Mounting hole size:	3.2 mm
Fibre size:	1 mm



## Ordering Information

# ILL-DSF-6

