

Specifier's Reference
Project
Type
Model No.
Comments or Special Instructions

# ILL-26D LENS

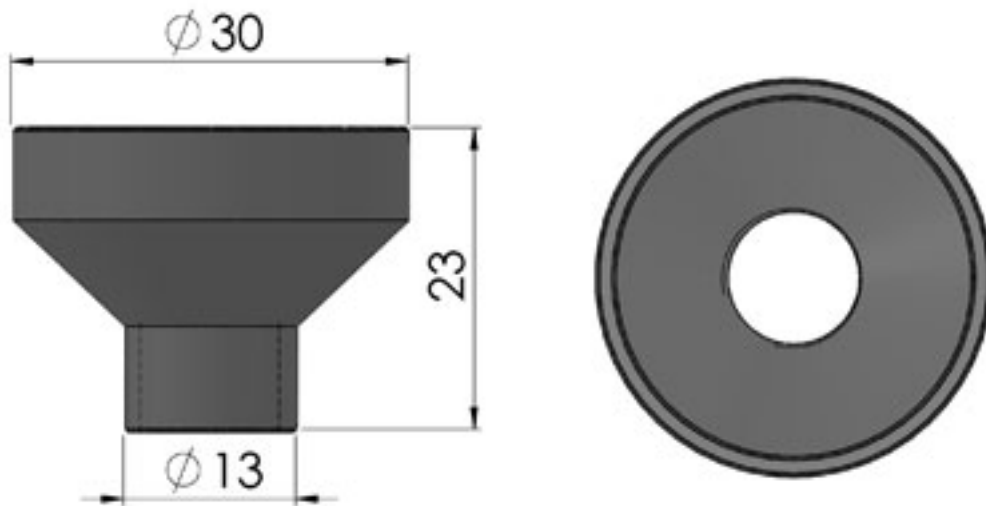
## APPLICATION

A lens for use with M10 ferrules.

Basic lens without fixings for attachment to substrate. Normally used for light guides or in conjunction with other fixings.

## SPECIFICATION

- Lens: Clear focusing lens
- Material: Aluminium; polycarbonate
- Colours available: Polished aluminium; black; white; ivory; chrome
- Focus range: 25° - 45°
- Flange size: 30mm
- Mounting method: Screwfix
- Ferrule size: M10
- Min. fibre size: 2mm
- Max. fibre size: 8mm



## Ordering Information

ILL-26D-LENS

